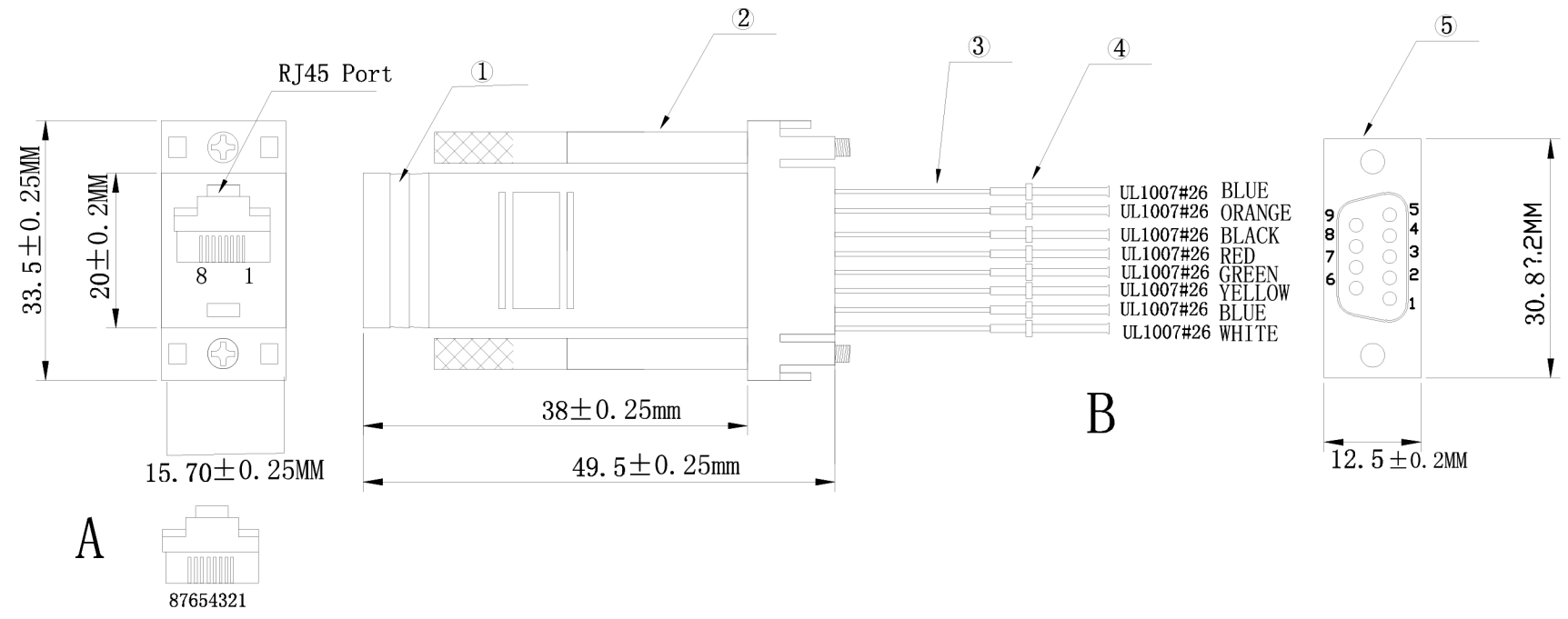
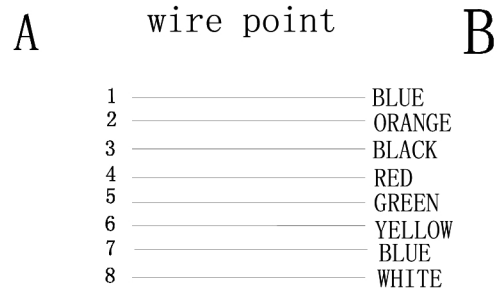



REVISION INFORMATION			
Rev.	Rev. Date	Modified By	Brief Description



Data list:

1. RJ45 shell: 8P8C/ABS/Ivory /Black/Gray Rohs
2. Screw : M4*37MM iron, Surface nickel-plated Rohs
3. Connector: 1.0 female, half Gold Plated Brass;Rohs
4. Cable: UL1007#26 TC, Rohs
5. DB connector: DB9PIN female, nickel plated in front tinned in back of steel shell, black rubber core,Rohs





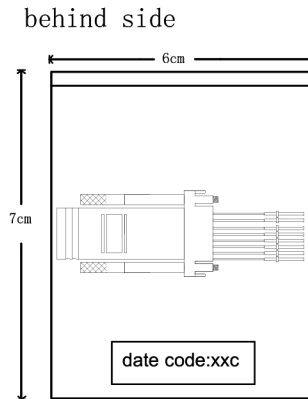
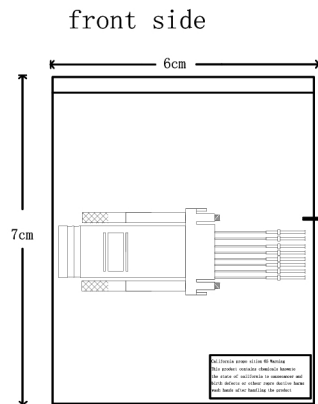
show Me
CABLES
cables & connectors since 1995

DRAWN BY	DATE: 2017. 9. 26	Title: DB9 Female to RJ45 Female Modular Adapter Kit- 8 Conductor
CHECKED BY	SHEET 1 of 1	Part No. 15-109-148
APPROVED BY	SCALE 1:1	REV. 00 UNIT: mm

NO.	PART NAME	SPECIFICATION DESCRIPTION	QTY	UNIT
③				
②				
①				

NOTE: CARTON MATERIAL MUST BE A=A

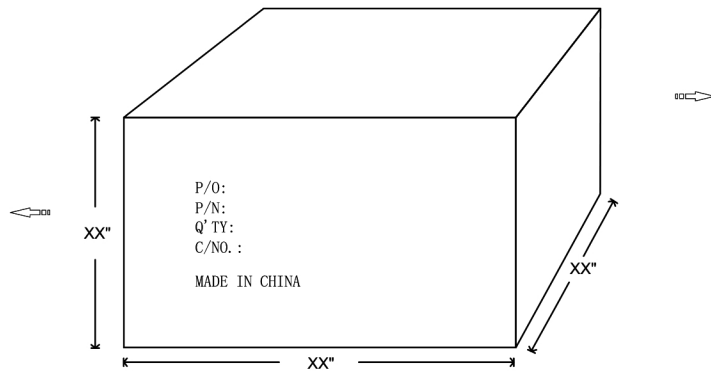
REVISION INFORMATION			
Rev.	Rev. Date	Modified By	Brief Description



Main Mark

P/O:
P/N: 272006
Q' TY: 800PCS
C/NO. : Dxxx

MADE IN CHINA



Carton Size: 21.26*14.57*8.67
Carton Quantity: 800PCS
Carton Weight: 34.70LBS

Side Mark

		RoHS Compliant
P/N: 272006		
Q' TY: 800 PCS		
N. W. : 14.94 KGS		
G. W. : 15.74 KGS		
Date Code: XX-XXXX		
Vender Code: PS00523		

Show Me
CABLES
cables & connectors since 1995

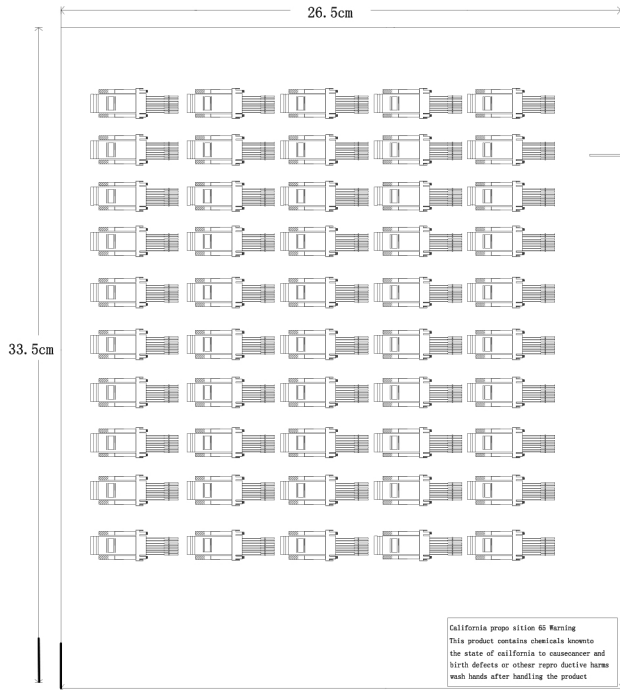
DRAWN BY	DATE 2017. 9. 26	Title: DB9 Female to RJ45 Female Modular Adapter Kit - 8 Conductor
CHECKED BY	SHEET 1 of 1	Part No. 15-109-148
APPROVED BY	SCALE 1:1	REV. 00
		UNIT:mm

NOTE: CARTON MATERIAL MUST BE A=A

REVISION INFORMATION

Rev.	Rev. Date	Modified By	Brief Description

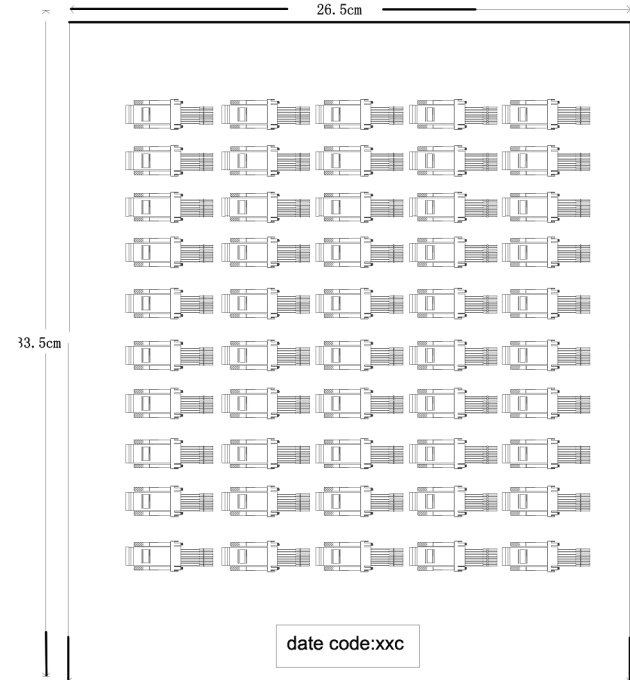
front side



Bag Material: Poly Ethylene

BIG STICKER:
DB9 Female to RJ45 Modular
Adapter Ivory 50pcs

California Proposition 65 Warning
This product contains chemicals known to the state of California to cause cancer and birth defects or other reproductive harm. Wash hands after handling the product.



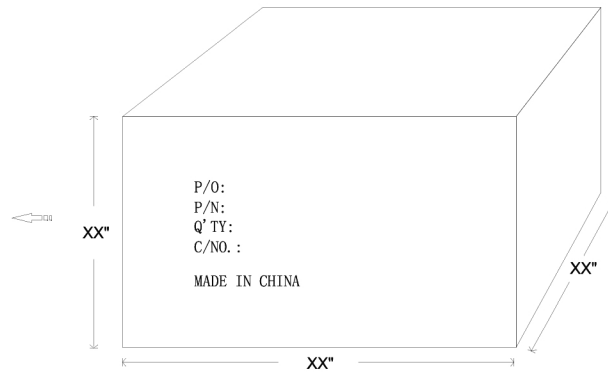
date code: xx

Side Mark

Main Mark

P/O:
P/N: 272006
Q'TY: 800PCS
C/NO.: Dxxx

MADE IN CHINA



P/O:
P/N:
Q'TY:
C/NO. :

MADE IN CHINA



RoHS Compliant

P/N: 272006
Q'TY: 800 PCS
N. W. : 14.94 KGS
G. W. : 15.74 KGS
Date Code: XX-XXXX
Vender Code: PS00523

Carton Size: 21.26*14.57*8.67
Carton Quantity: 800PCS
Carton Weight: 34.70LBS

Show Me
CABLES

cables & connectors since 1995

DRAWN BY	DATE	Title: DB9 Female to RJ45 Female Modular Adapter Kit- 8 Conductor	
	2017. 9. 26	Part No. 15-109-148	
CHECKED BY	SHEET 1 of 1	REV. 00	UNIT: mm
	APPROVED BY	SCALE 1:1	